

WHACK A CROC - TICKET CONTROL PCB

1ST TICKET then 1 TICKET EVERY

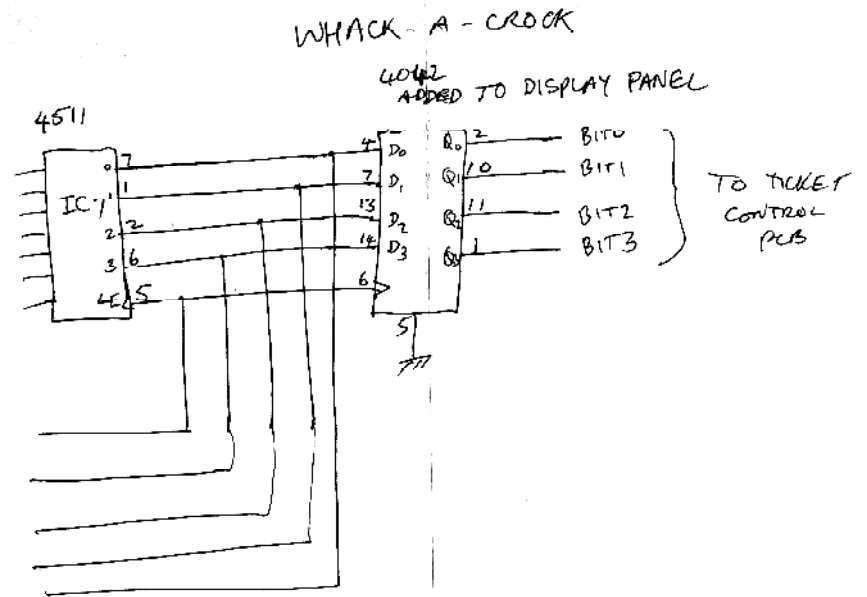
0	10
10	20
20	30
30	40
40	
50	
60	
70	
80	

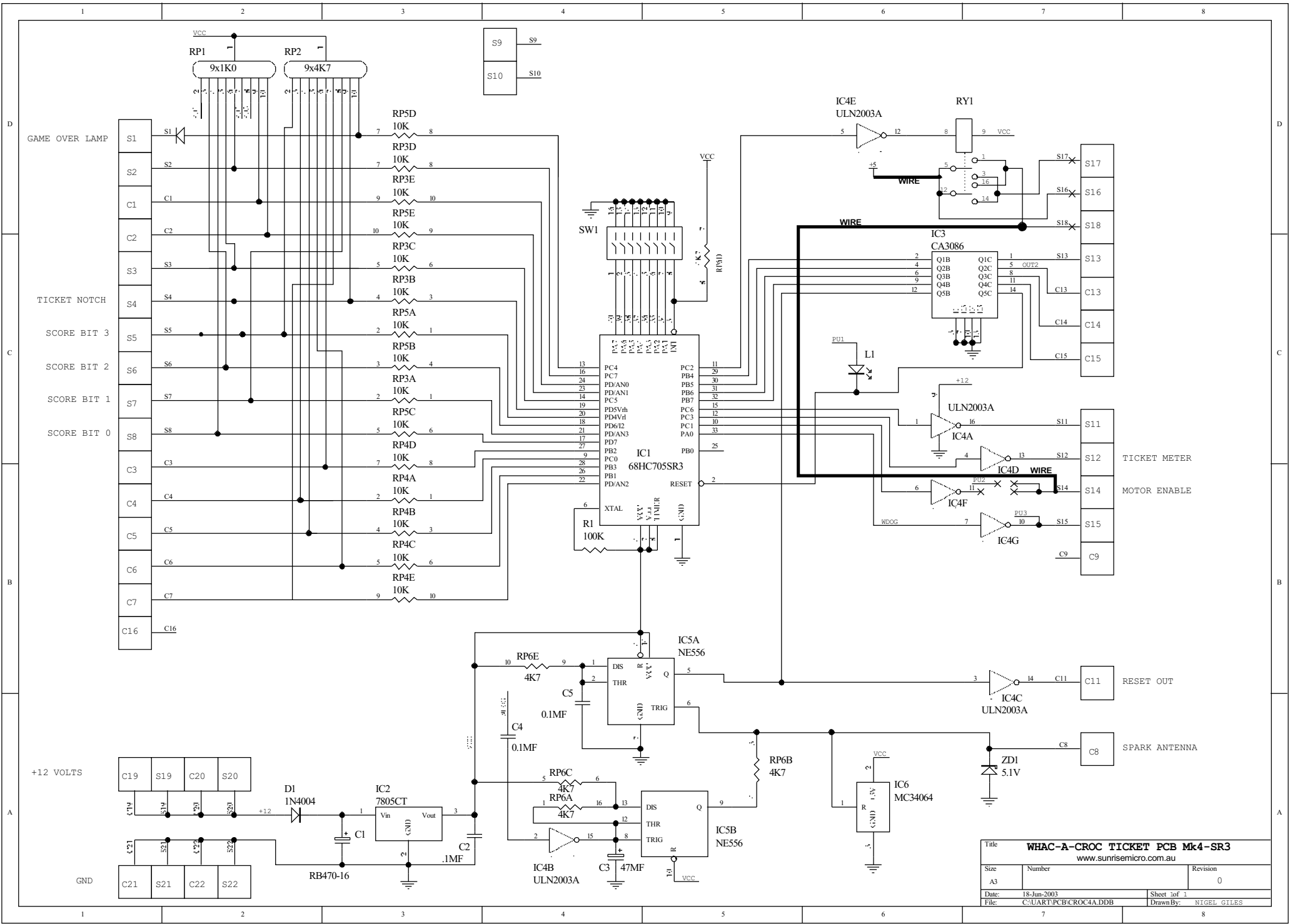
DIP SWITCH

1ST TICKET	DIP SWITCH			
	2	3	4	5
0	ON	ON	ON	ON
10	OFF	ON	ON	ON
20	ON	OFF	ON	ON
30	OFF	OFF	ON	ON
40	ON	ON	OFF	ON
50	OFF	ON	OFF	ON
60	ON	OFF	OFF	ON
70	OFF	OFF	OFF	ON
80	ON	ON	ON	OFF

Thereafter every

10	ON	ON
20	OFF	ON
30	ON	OFF
40	OFF	OFF





Title			WHAC-A-CROC TICKET PCB Mk4-SR3		
www.sunrisemicro.com.au					
Size	Number	Revision			
A3		0			
Date:	18-Jun-2003	Sheet	1 of 1		
File:	C:\UART\PCB\CROC4A.DDB	Drawn By:	NIGEL GILES		